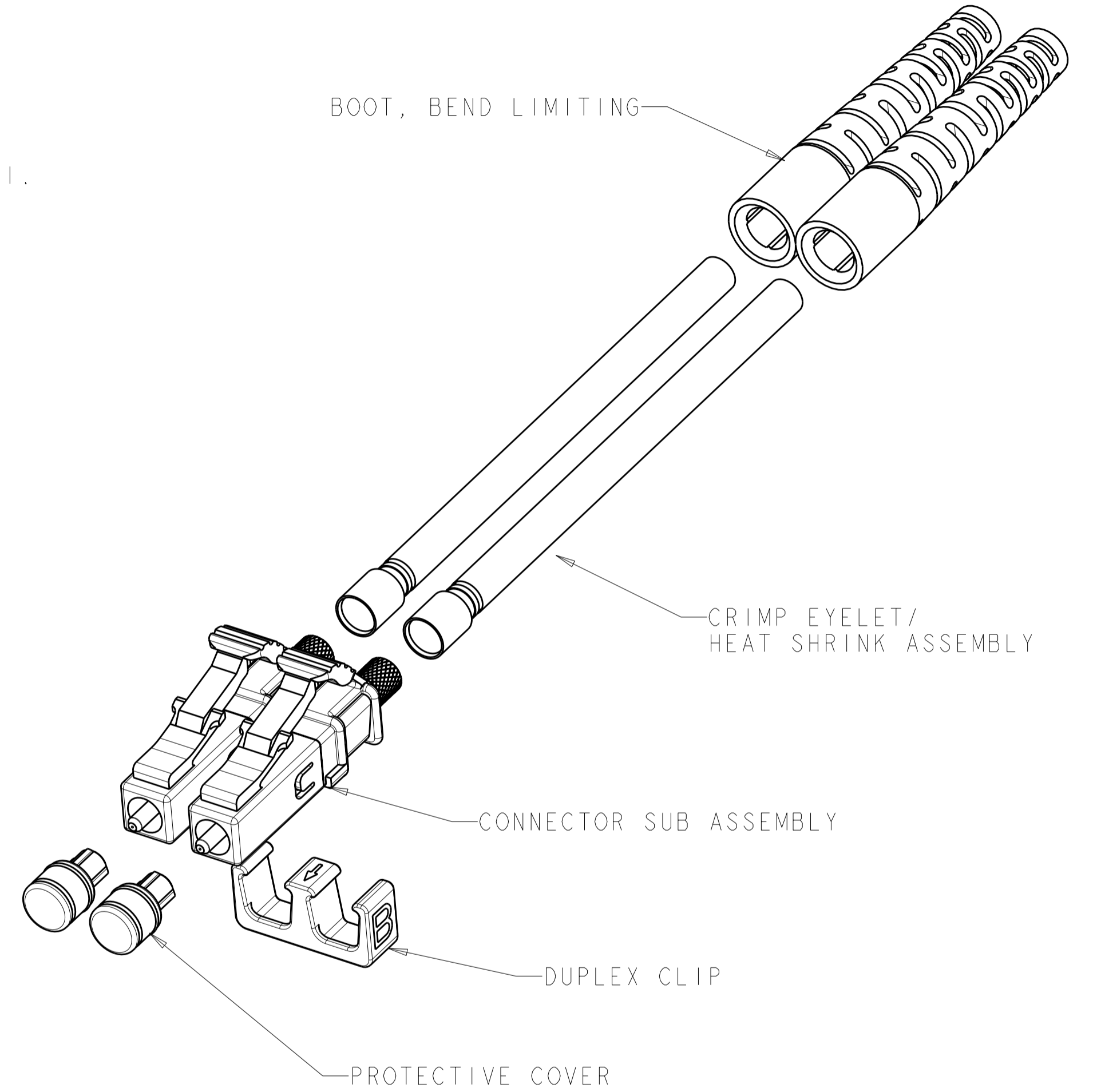
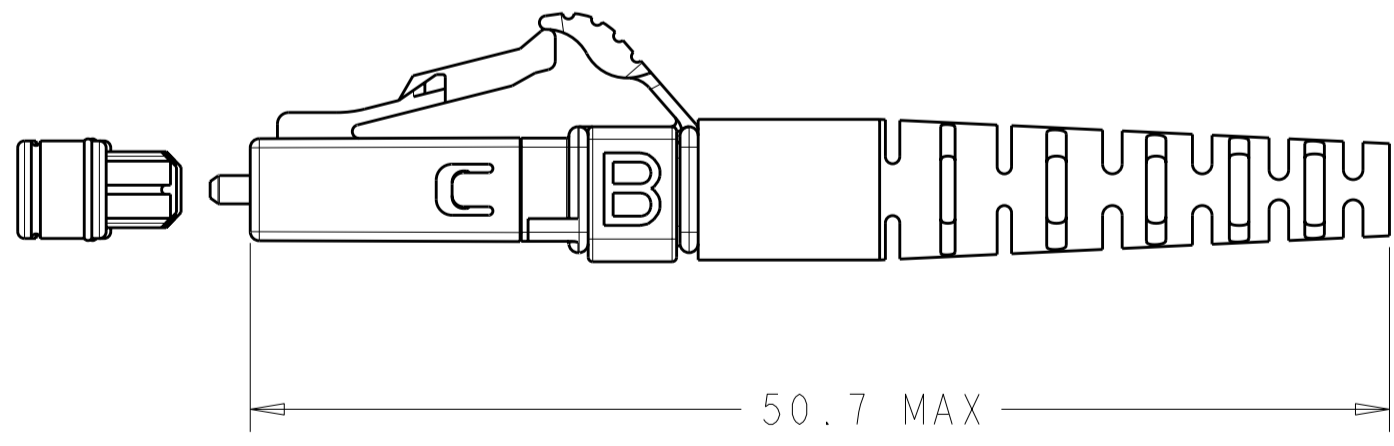
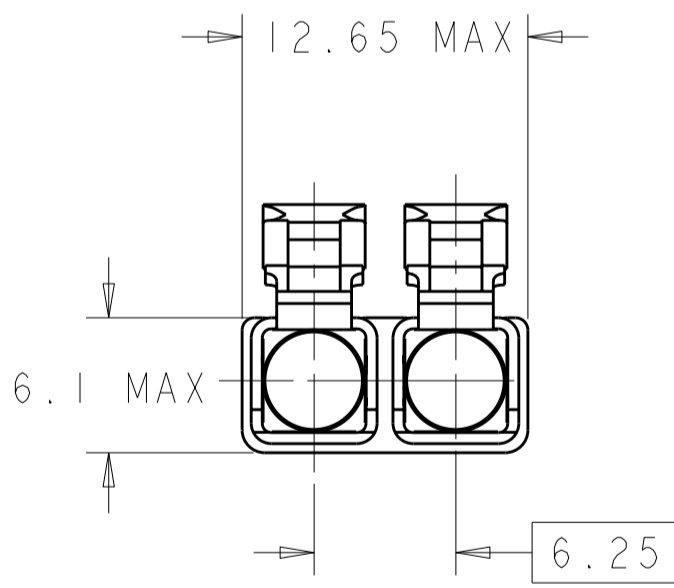
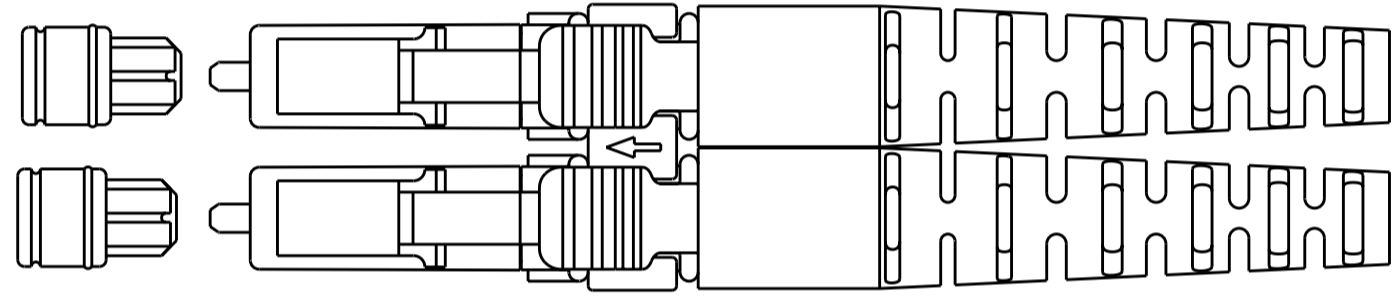


THIS DRAWING IS UNPUBLISHED. RELEASED FOR PUBLICATION 20
 © COPYRIGHT 20 BY TYCO ELECTRONICS CORPORATION. ALL RIGHTS RESERVED.

LOC	DIST	REVISIONS			
P	LTR	DESCRIPTION	DATE	DWN	APVD
CE	00	A	RELEASE TO ACTIVE STATUS	09JUN2006	ESM DR
		AI	PRINT STANDARDIZATION	23JUL2008	BB CB

① MATERIAL: PROTECTIVE COVER: TPE, COLOR:BLACK, UL 94 HB. *
 FERRULE SUB ASSEMBLY: ZIRCONIA/METAL.
 COMPRESSION SPRING: STAINLESS STEEL
 FRONT HOUSING: PEI, COLOR:BEIGE, UL 94 V-0. *
 INNER TUBING: PTFE, COLOR:CLEAR, UL VW-1.
 REAR BODY: PEI/METAL, COLOR:BEIGE, UL 94 V-0. *
 DUPLEX CLIP: PEI, COLOR:BEIGE, UL 94 V-0. *
 BOOT: PP, COLOR:BEIGE, UL 94 V-0. *
 CRIMP EYELET/HEAT SHRINK ASSY: ALUM. ALLOY, HEAT SHRINK: POLYOLEFIN, UL VW-1.
 *RATED AT QUALIFYING THICKNESS.

② BULK PACKAGED
 3. INSTRUCTION SHEET: 408-8675.



②	YELLOW / WHITE	6588707-4
	YELLOW / WHITE	6588707-3
②	WHITE	6588707-2
	WHITE	6588707-1
	HEAT SHRINK COLOR	PART NUMBER

THIS DRAWING IS A CONTROLLED DOCUMENT FOR TYCO ELECTRONICS CORPORATION. IT IS SUBJECT TO CHANGE AND THE CONTROLLING ENGINEERING ORGANIZATION SHOULD BE CONTACTED FOR THE LATEST REVISION.		DWN E. HOPKINS 01 JUN 2005	Tyco Electronics Harrisburg, PA 17105-3608	
DIMENSIONS: mm		CHK D. ROHDE 01 JUN 2005	NAME KIT, CONNECTOR, LC, DUPLEX, MM, 1.6-20. mm JACKET	
TOLERANCES UNLESS OTHERWISE SPECIFIED: 0 PLC ± 1 PLC ± 2 PLC ± 3 PLC ± 4 PLC ± ANGLES ± FINISH		APVD S. BUCHTER 01 JUN 2005	PRODUCT SPEC -	RESTRICTED TO -
MATERIAL ① -		APPLICATION SPEC -	WEIGHT -	SIZE A2
CUSTOMER DRAWING		SCALE 3:1	DRAWING NO. 00779	SHEET 1
			DRAWING NO. 6588707	REV A1